



Please Read!

If you are installing an AlarmNet 7845CV2, 7845GSM or 7845i-GSM communications device along with the LYNXR-I, please note the following:

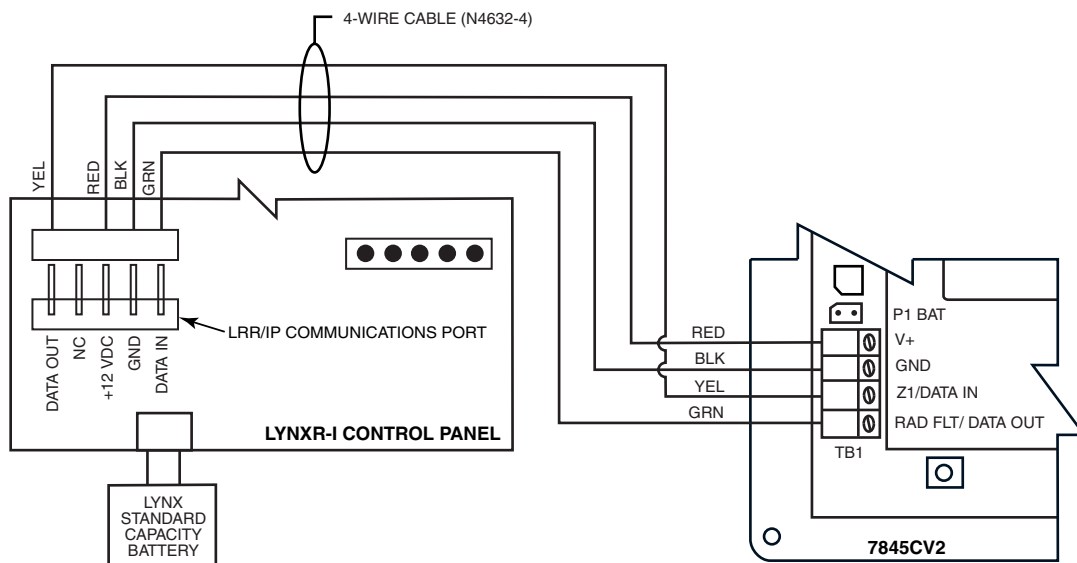


Do NOT install the backup battery that is provided with the communications device.

In addition please note the following changes to the Installation and Setup Guide (P/N K14114 Rev. B dated 3/06)

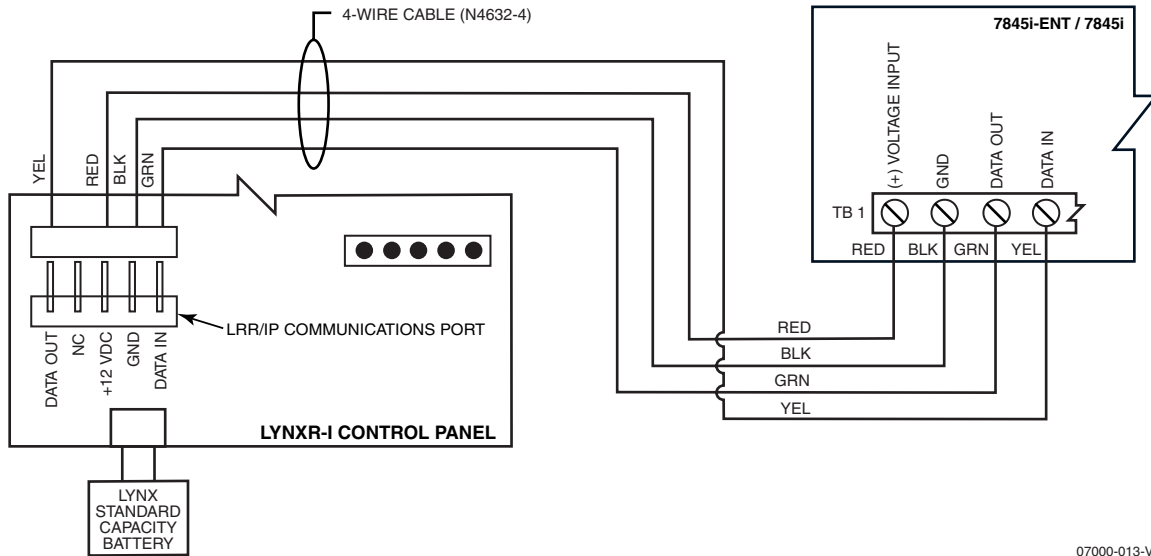
1. The diagram that appears on the bottom of page 10 of the LYNXR-I Installation and Setup Guide incorrectly shows a backup battery connected to the AlarmNet 7845CV2.

Please use the following diagram if you are installing an AlarmNet 7845iCV2 with the LYNXR-I.



- The diagram that appears on the bottom of page 9 of the LYNXR-I Installation and Setup Guide reversed the colors of wires at where they are connected to the AlarmNet 7845i-ENT/7845i.

Please use the following diagram if you are installing an AlarmNet 7845i-ENT/7845i with the LYNXR-I.



07000-013-V2

Honeywell

165 Eileen Way, Syosset, New York 11791

Copyright © 2007 Honeywell International Inc.

www.honeywell.com/security



K14114RMFV1 1/07 Rev. A